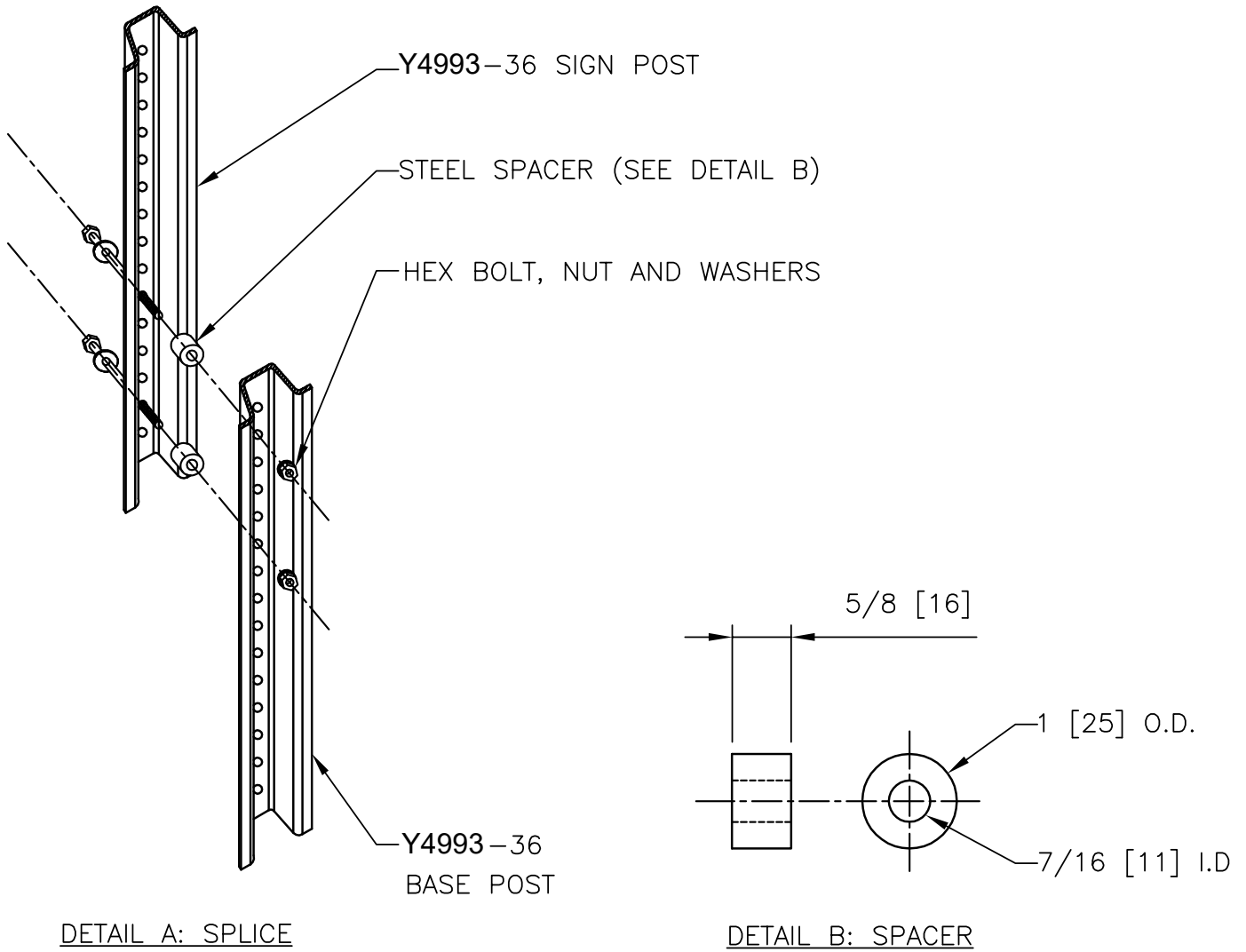


Product Information Bulletin

64 Outwater Lane, Garfield, NJ 07026 Ph: 973-340-7889 | Fax: 973-340-7809

U-Channel Breakaway System



DATE: / / **JOB:** _____

CONTRACTOR: _____



Product Information Bulletin

64 Outwater Lane, Garfield, NJ 07026 Ph: 973-340-7889 | Fax: 973-340-7809

U-Channel Breakaway System

This breakaway system will support any type of warning, regulatory or guide signs, from small signs on single posts to very large signs or sign clusters on multiple posts. Base-bolted sign posts also work well for construction and temporary signing.

This post anchor + bolting set system can be driven in to strong or weak soil and does not require a concrete foundation, however, when installed in weak soil a soil plate is required on each sign post.

This breakaway sign support system has been crash tested in strong and weak soil and have been adjusted to satisfy the requirements of 1985 AASHTO Standard specifications for Structural Supports for Highway Signs, Luminaires and Traffic Signals and the National Cooperative Highway Research Program Report 230.

Components: (2) 1" diameter x 5/8" thick steel spacers. (2) Grade 9 hex head bolts measuring 5/16 x 2-1/4", (2) lock washers, (2) washers and (2) nuts

The splice hardware is cadmium plated in accordance with the requirements of ASTM A165-80, TYPE OS, except when using clear chromate.

Breakaway Sign Post Installation:

1. Dig a small, shallow hole approximately 6 inches in diameter and 2 inches deep; drive the ground post into the center of the hole leaving the top 4 inches above grade level exposed.
2. Place one bolt in the 1st and 5th holes in the ground post. Slide a spacer and push-on retaining washer onto each bolt, leaving both bolts ends exposed.
3. The top post is then nested over the end of the ground post and seated on the bolts. Lock nuts and washers are then installed and tightened and the earth around the post hole replaced and tamped firmly to complete the installation.

DATE: / / JOB: _____

CONTRACTOR: _____